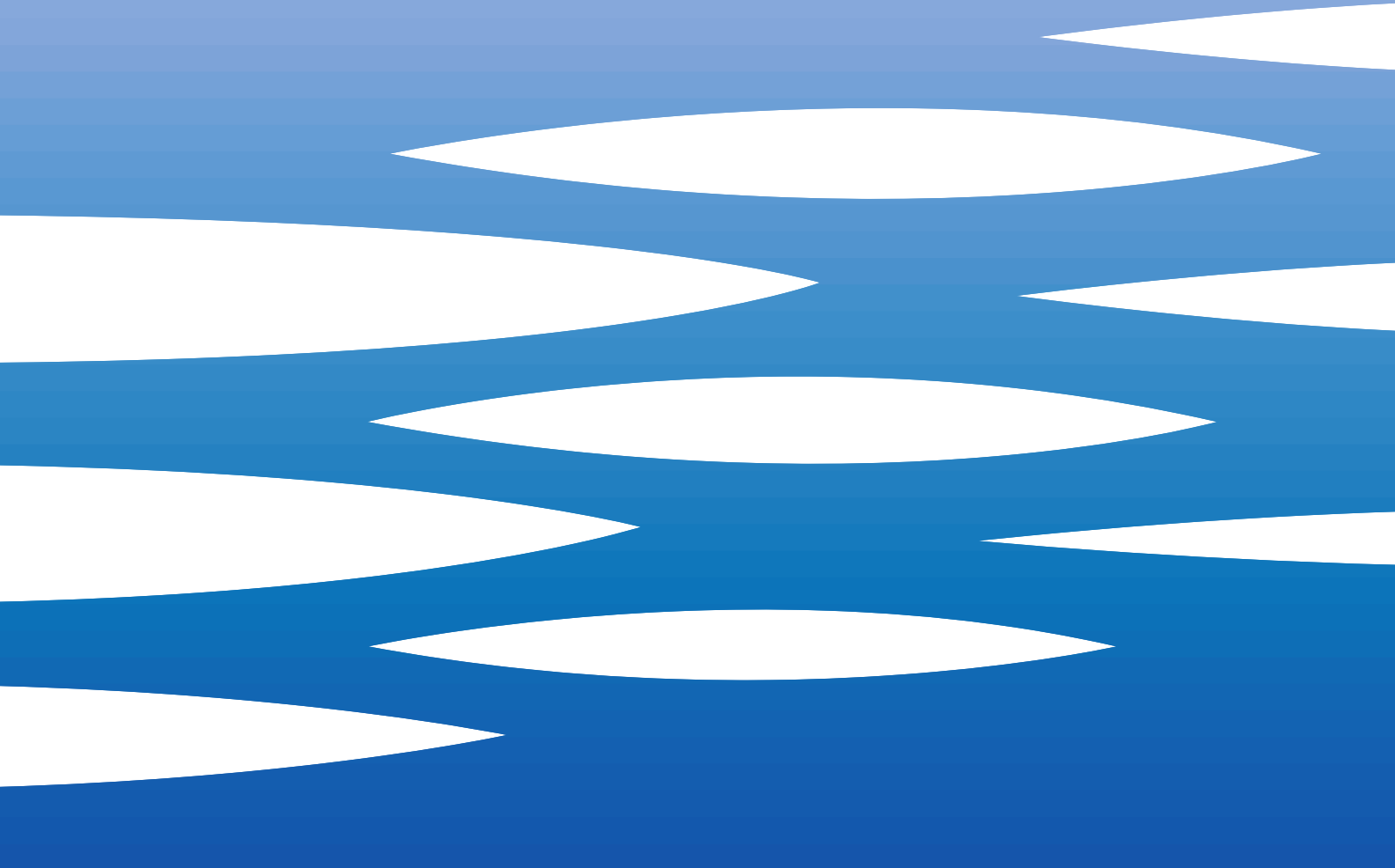


EBARA



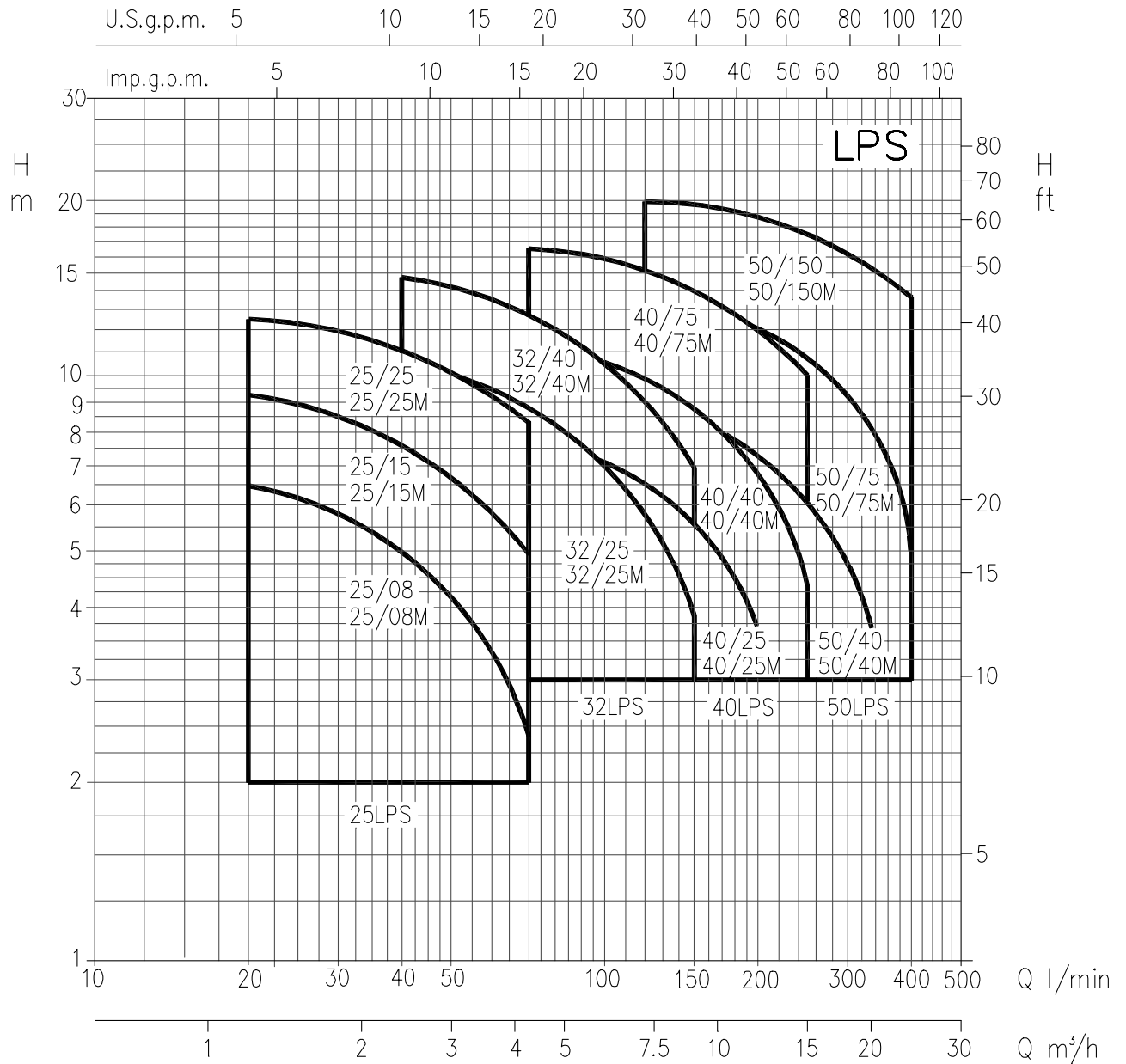
	Page
- SPECIFICATIONS	200
SELECTION CHART	201
SELECTION CHART	202
PERFORMANCE CURVE LPS 25/08	203
PERFORMANCE CURVE LPS 25/15	204
PERFORMANCE CURVE LPS 25/25	205
PERFORMANCE CURVE LPS 32/25	206
PERFORMANCE CURVE LPS 32/40	207
PERFORMANCE CURVE LPS 40/25	208
PERFORMANCE CURVE LPS 40/40	209
PERFORMANCE CURVE LPS 40/75	210
PERFORMANCE CURVE LPS 50/40	211
PERFORMANCE CURVE LPS 50/75	212
PERFORMANCE CURVE LPS 50/150	213
- CONSTRUCTIONS	300
SECTIONAL VIEW	300
MECHANICAL SEAL	301
DIAGRAM AND ELECTRIC CONNECTIONS	302
DIAGRAM AND ELECTRIC CONNECTIONS	303
FITTINGS	304
- DIMENSIONS	400
PACKING AND WEIGHT	401
- TECHNICAL DATA	500
ATTENTION ON INSTALLATION OF THE PUMP	501

SPECIFICATIONS

50Hz

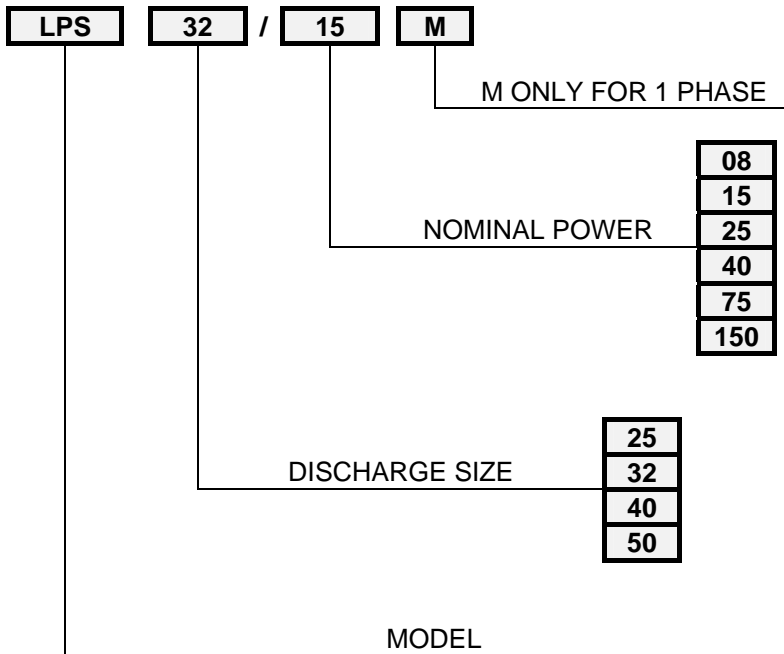
PUMP		
Liquid Handled	Type of liquid	Clean water
	Max temperature [°C]	100
Min suction pressure		[MPa] -0.6 at 35°C
Max positive suction pressure		[MPa] 0.2 (All models single phase) 0.2 (LPS 25 three phase) 0.4 (LPS 32, 40, 50 three phase)
Construction	Impeller	Closed centrifugal
	Shaft seal type	Mechanical seal
	Bearing	Sealed ball bearing
Pipe Connection	Suction/Flange	From DN 25 up to DN 50
	Discharge/Flange	From DN 25 up to DN 50
Material	Casing	AISI 304
	Impeller	AISI 304
	Casing cover	AISI 304
	Shaft seal	Ceramic/Carbon/NBRH
	Shaft	AISI 303 (wet extension)
Applicable standard of test		ISO 9906 - Annex A

MOTOR		
Type	Electric - TEFC	
	Single Phase	Three Phase
No. of Poles	2	
Synchronous speed	[min ⁻¹] 3000	
Insulation Class	Class F	
Protection degree	IP 55	
Power rating	[kW] 0.08 ÷ 1.5	
	[HP] 0.1 ÷ 2	
Frequency	[Hz] 50	
Voltage	[V] 230 ±10%	230/400 ±10%
Capacitor	Built in	-
Over load protection	Built in	User to provide
Motor bracket	Aluminium	
Dimensions of cable entry	PG11 - PG13.5	

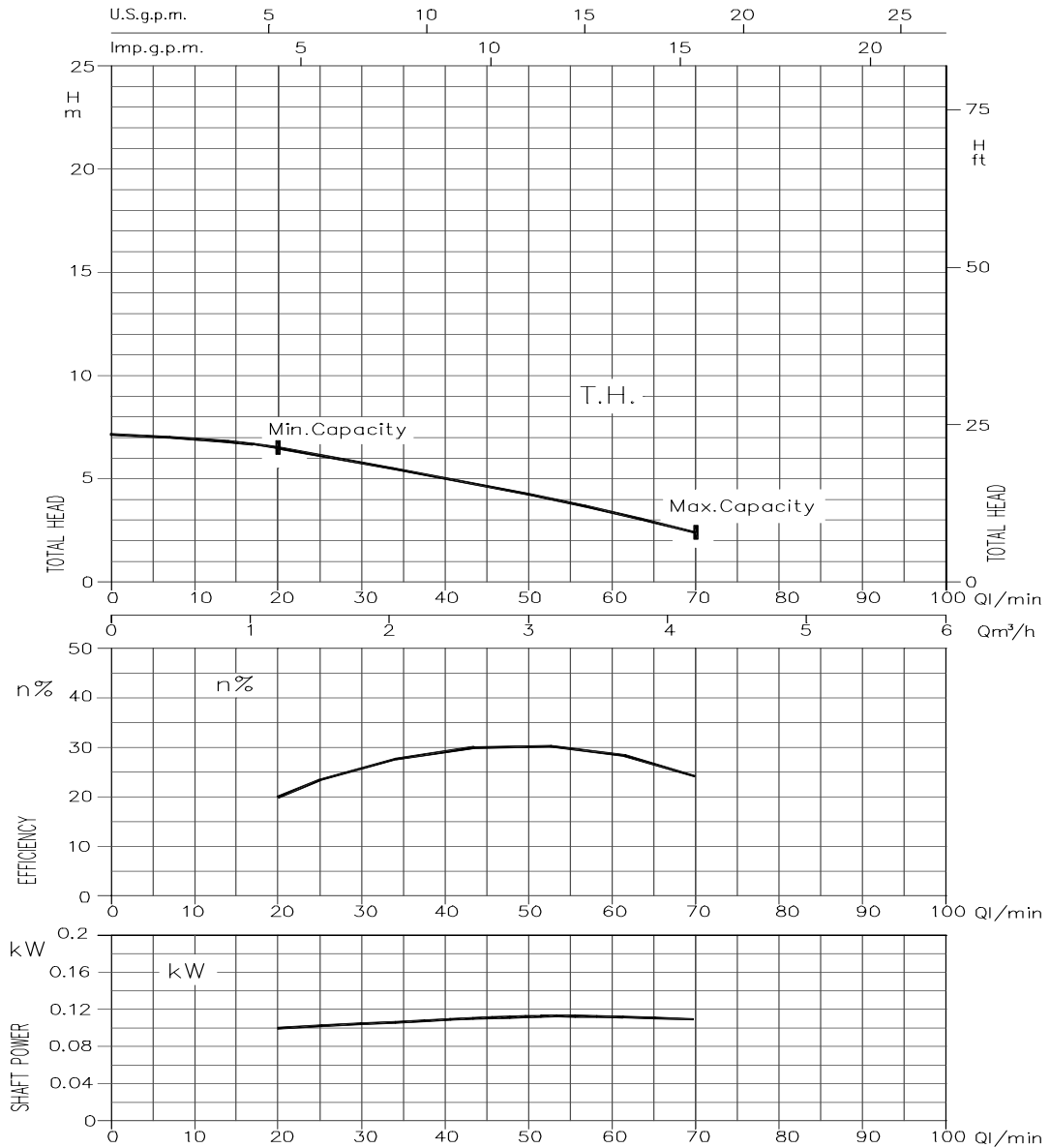


Type pumps LPS		kW	HP	Q=Capacity												
Single phase	Three phase			l/min	0	20	40	70	100	120	150	200	250	320	400	
				m ³ /h	0	1.2	2.4	4.2	6	7.2	9	12	15	19.2	24	
				H=Total manometric head in meters												
LPS 25/08M	LPS 25/08	0.08	0.1	7.2	6.5	5	2.4	-	-	-	-	-	-	-	-	-
LPS 25/15M	LPS 25/15	0.15	0.2	10.3	9.3	7.8	4.9	-	-	-	-	-	-	-	-	-
LPS 25/25M	LPS 25/25	0.25	0.33	13.7	12.5	11.1	8.4	-	-	-	-	-	-	-	-	-
LPS 32/25M	LPS 32/25	0.25	0.33	12.0	-	10.7	9.1	7.2	5.9	3.9	-	-	-	-	-	-
LPS 32/40M	LPS 32/40	0.4	0.5	16.4	-	14.5	12.7	10.6	9.2	7	-	-	-	-	-	-
LPS 40/25M	LPS 40/25	0.25	0.33	7.9	-	-	7.8	7.1	6.6	5.6	3.7	-	-	-	-	-
LPS 40/40M	LPS 40/40	0.4	0.5	11.8	-	-	11.3	10.4	9.9	8.7	6.9	4.4	-	-	-	-
LPS 40/75M	LPS 40/75	0.75	1	17.3	-	-	16.6	16	15.2	14.1	12.3	10.1	-	-	-	-
LPS 50/40M	LPS 50/40	0.4	0.5	9.8	-	-	-	-	9.1	8.8	7.4	5.9	3.5	-	-	-
LPS 50/75M	LPS 50/75	0.75	1	14.8	-	-	-	-	13.8	13.3	12.3	10.7	8.2	5	-	-
LPS 50/150M	LPS 50/150	1.5	2	20.7	-	-	-	-	19.8	19.3	18.7	17.8	16	13.7	-	-

EXAMPLE:

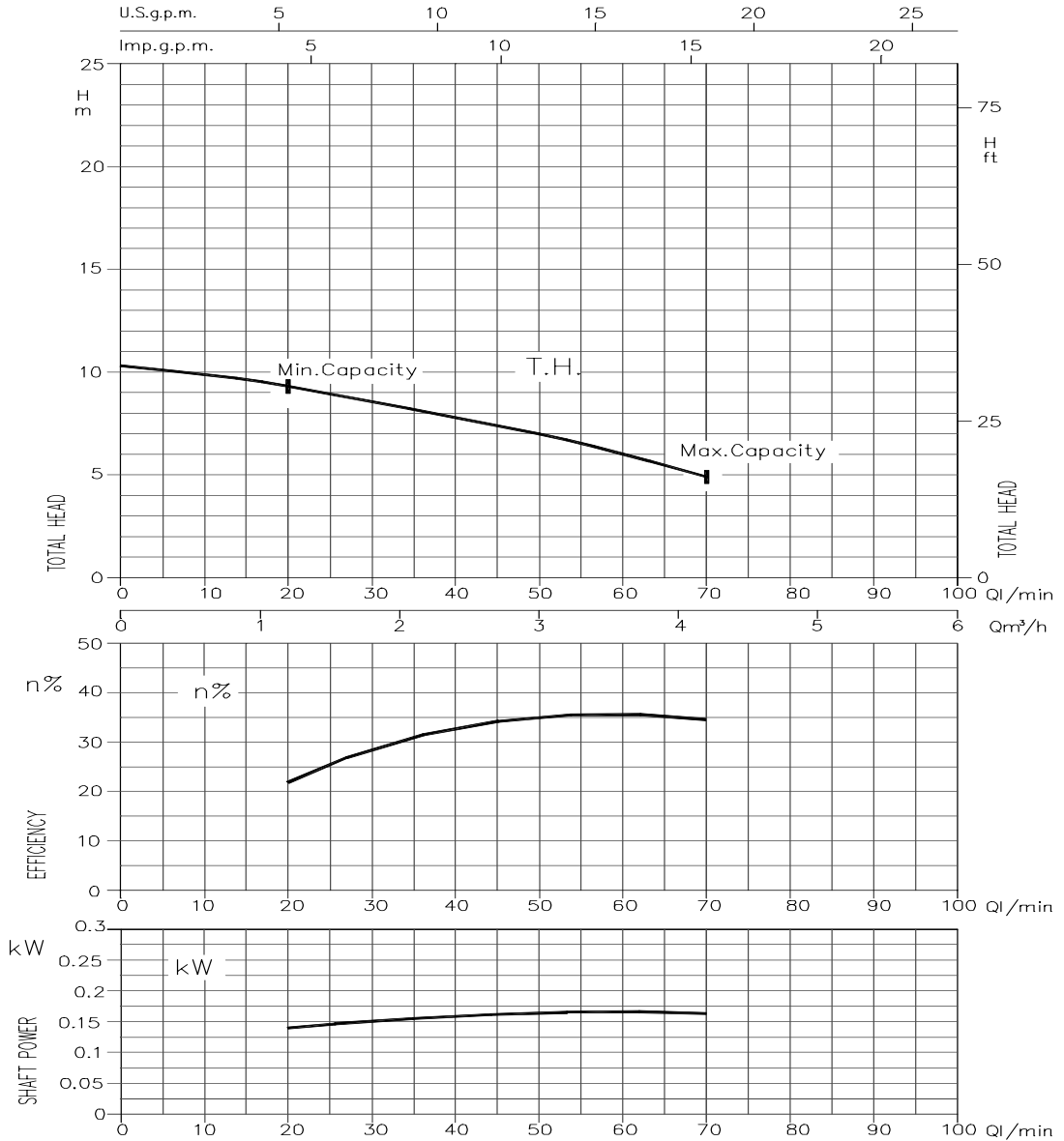


LPS 25/08 (0.08 kW) - LPS 25/08M (0.08 kW)
 SYNCHRONOUS SPEED: 3000 min⁻¹



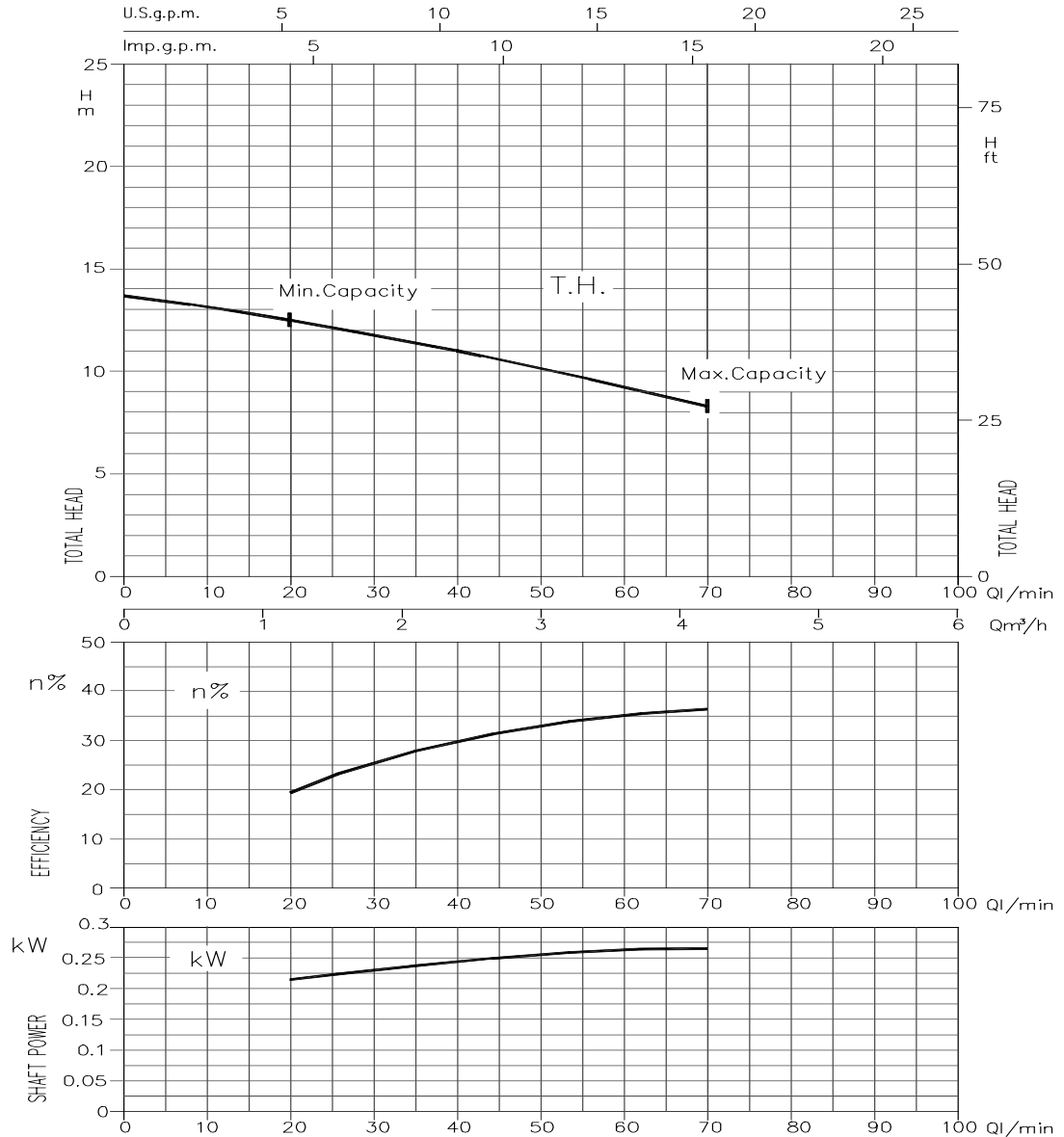
Temperature of water: 20°C
 Impeller diameter = 84 mm
 Applicable standard of test: ISO 9906 - Annex A

LPS 25/15 (0.15 kW) - LPS 25/15M (0.15 kW)
 SYNCHRONOUS SPEED: 3000 min⁻¹



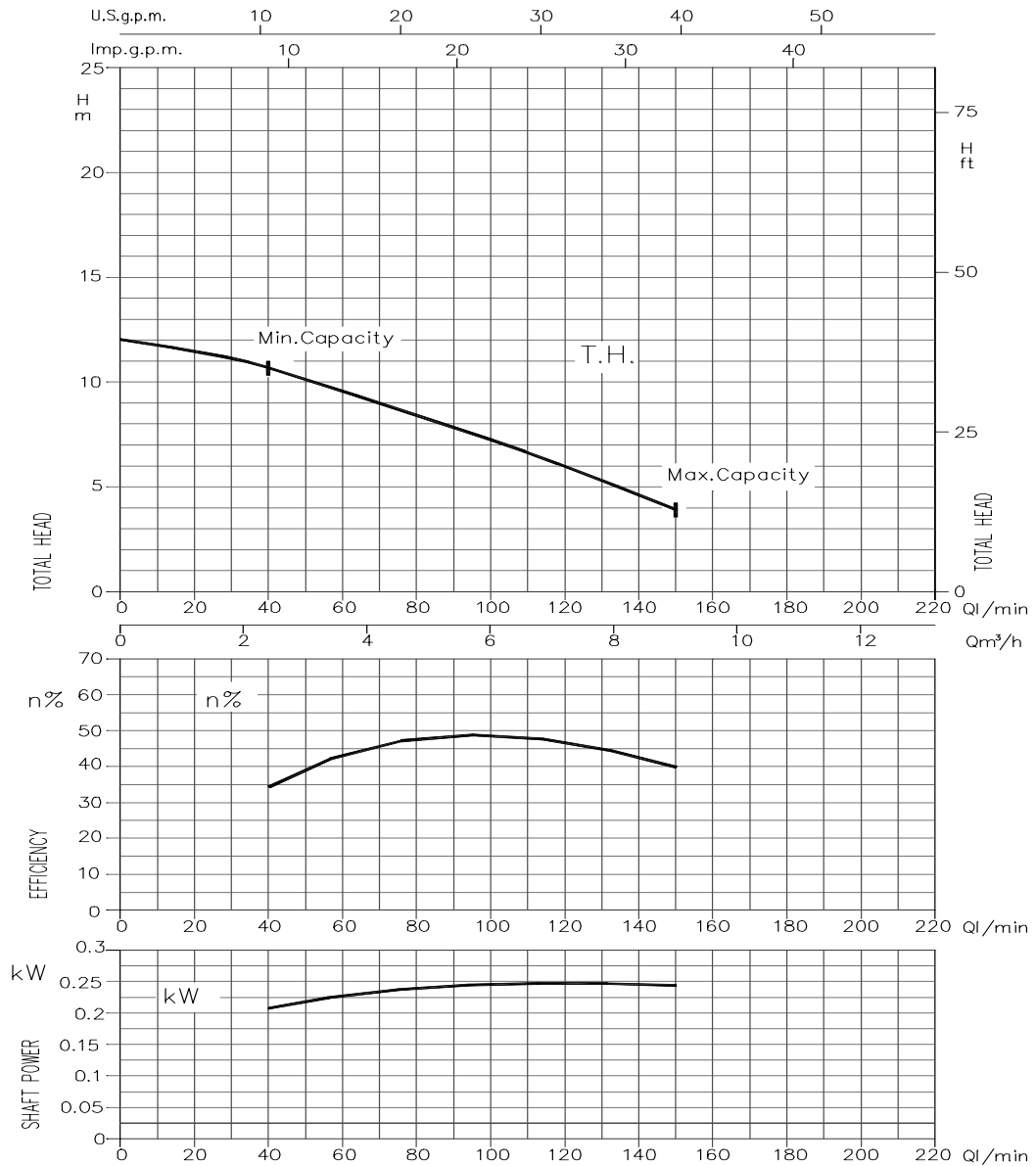
Temperature of water: 20°C
 Impeller diameter = 98 mm
 Applicable standard of test: ISO 9906 - Annex A

LPS 25/25 (0.25 kW) - LPS 25/25M (0.25 kW)
 SYNCHRONOUS SPEED: 3000 min⁻¹



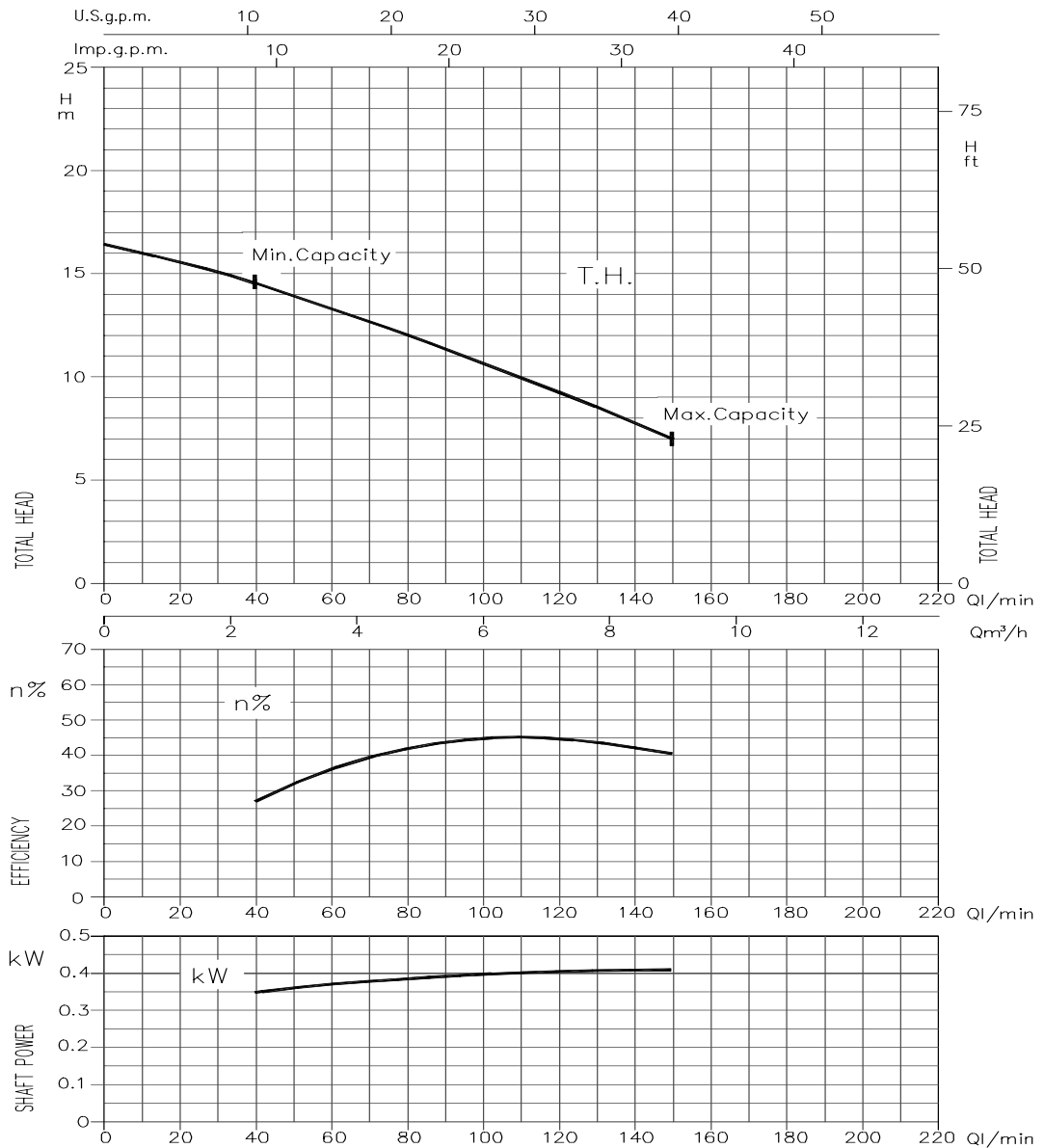
Temperature of water: 20°C
 Impeller diameter = 114 mm
 Applicable standard of test: ISO 9906 - Annex A

LPS 32/25 (0.25 kW) - LPS 32/25M (0.25 kW)
 SYNCHRONOUS SPEED: 3000 min⁻¹



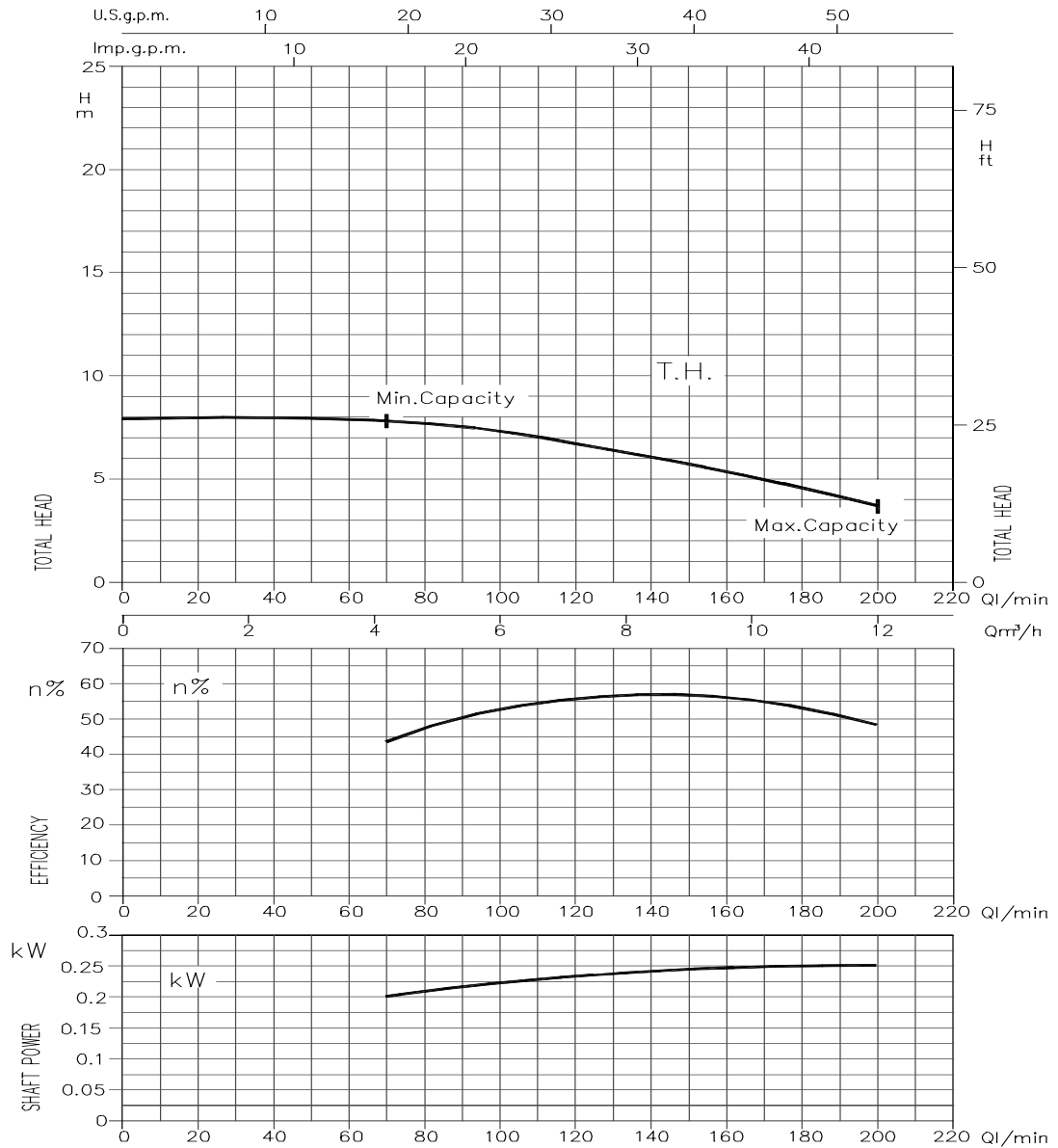
Temperature of water: 20°C
 Impeller diameter = 103 mm
 Applicable standard of test: ISO 9906 - Annex A

LPS 32/40 (0.4 kW) - LPS 32/40M (0.4 kW)
 SYNCHRONOUS SPEED: 3000 min⁻¹



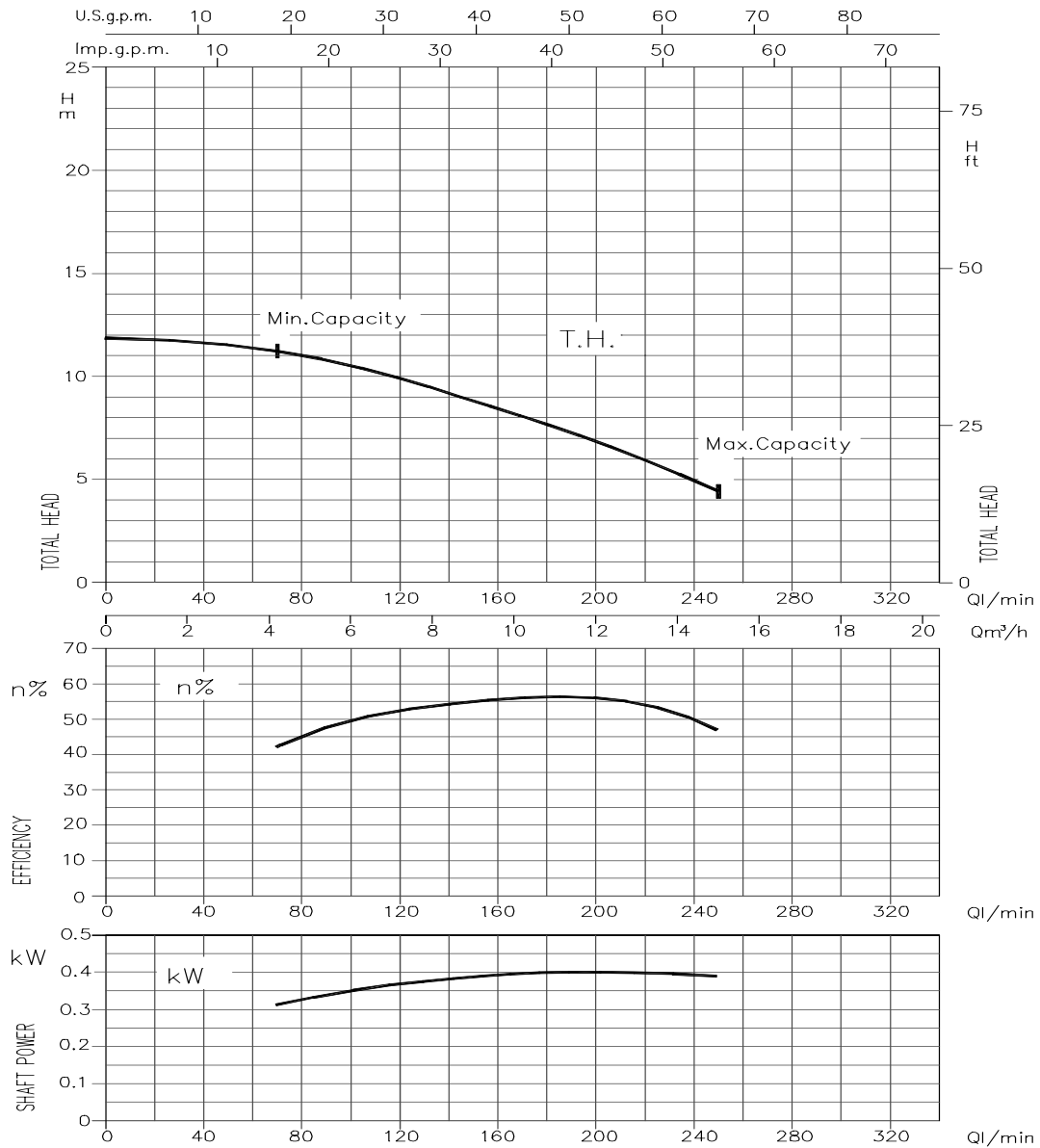
Temperature of water: 20°C
 Impeller diameter = 124 mm
 Applicable standard of test: ISO 9906 - Annex A

LPS 40/25 (0.25 kW) - LPS 40/25M (0.25 kW)
 SYNCHRONOUS SPEED: 3000 min⁻¹



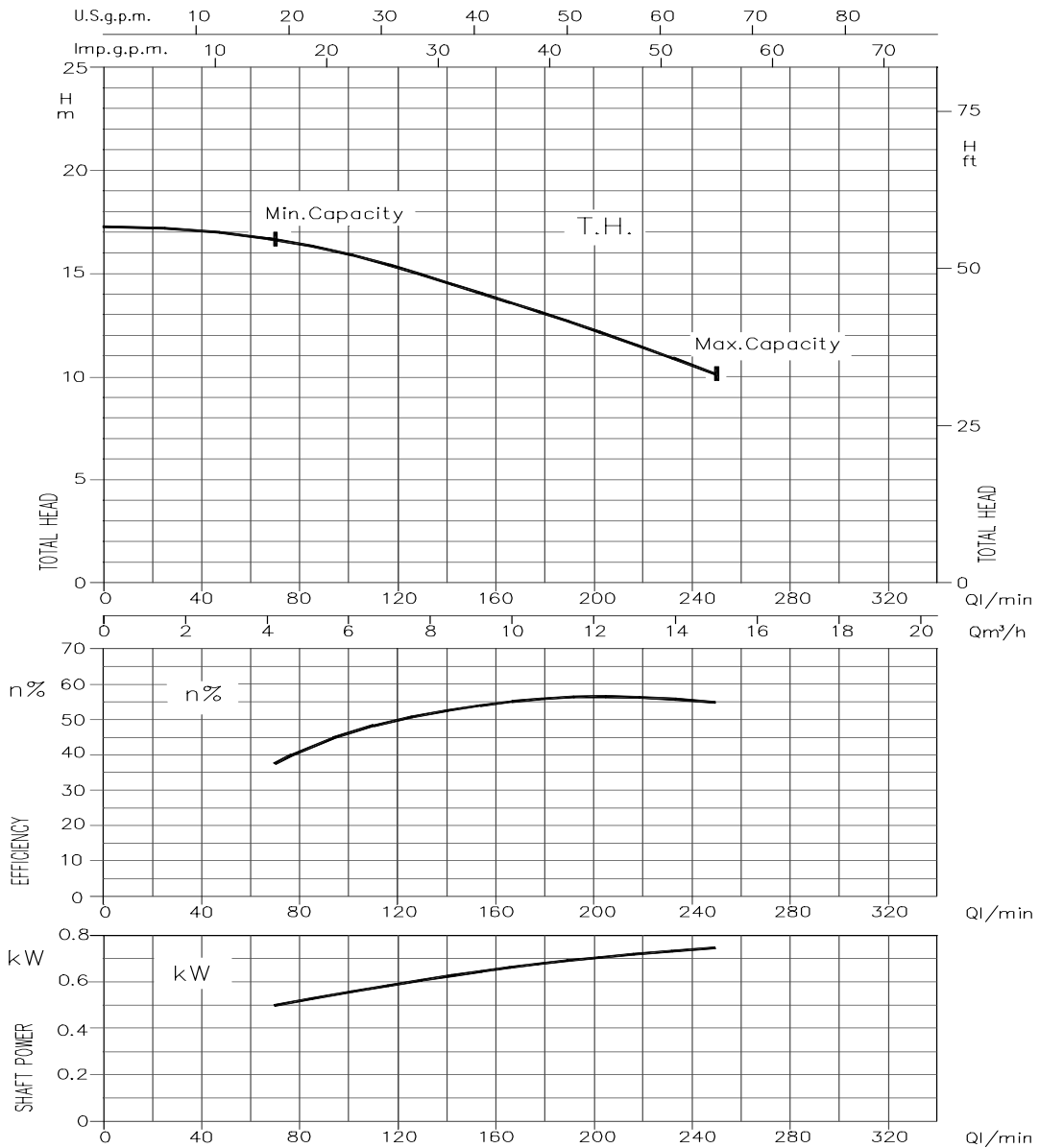
Temperature of water: 20°C
 Impeller diameter = 86 mm
 Applicable standard of test: ISO 9906 - Annex A

LPS 40/40 (0.4 kW) - LPS 40/40M (0.4 kW)
 SYNCHRONOUS SPEED: 3000 min⁻¹



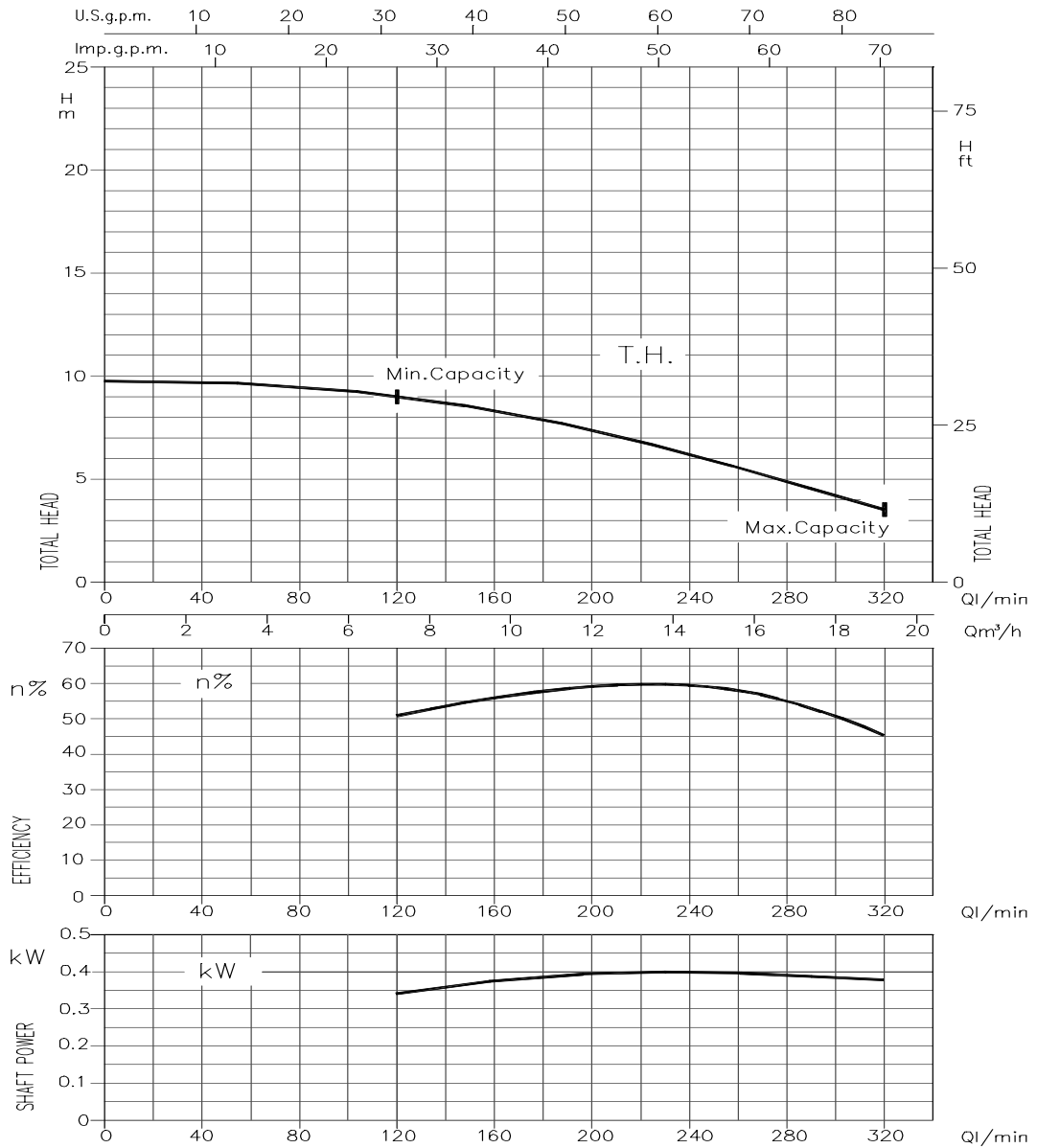
Temperature of water: 20°C
 Impeller diameter = 103 mm
 Applicable standard of test: ISO 9906 - Annex A

LPS 40/75 (0.75 kW) - LPS 40/75M (0.75 kW)
 SYNCHRONOUS SPEED: 3000 min⁻¹



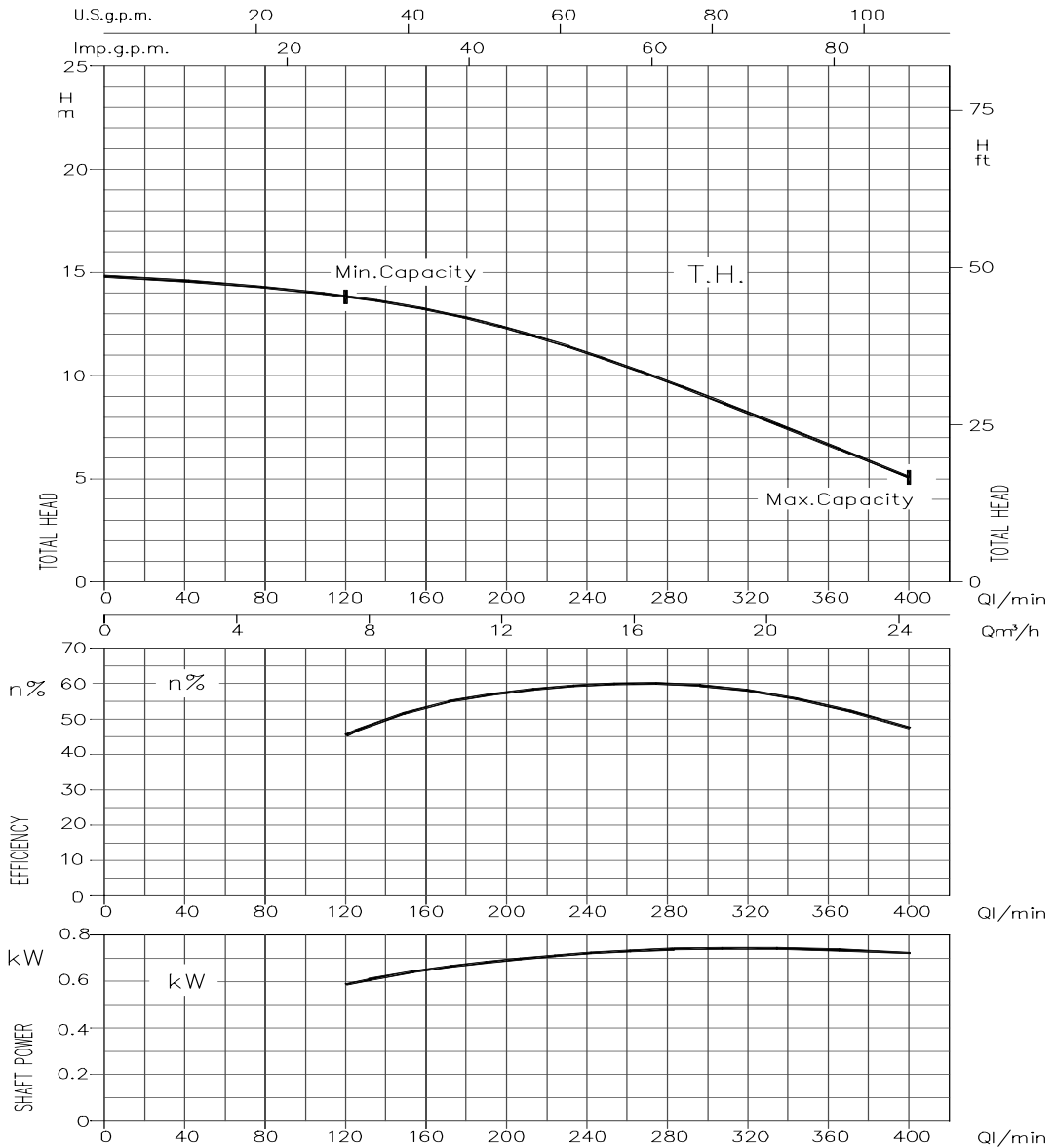
Temperature of water: 20°C
 Impeller diameter = 124 mm
 Applicable standard of test: ISO 9906 - Annex A

LPS 50/40 (0.4 kW) - LPS 50/40M (0.4 kW)
 SYNCHRONOUS SPEED: 3000 min⁻¹



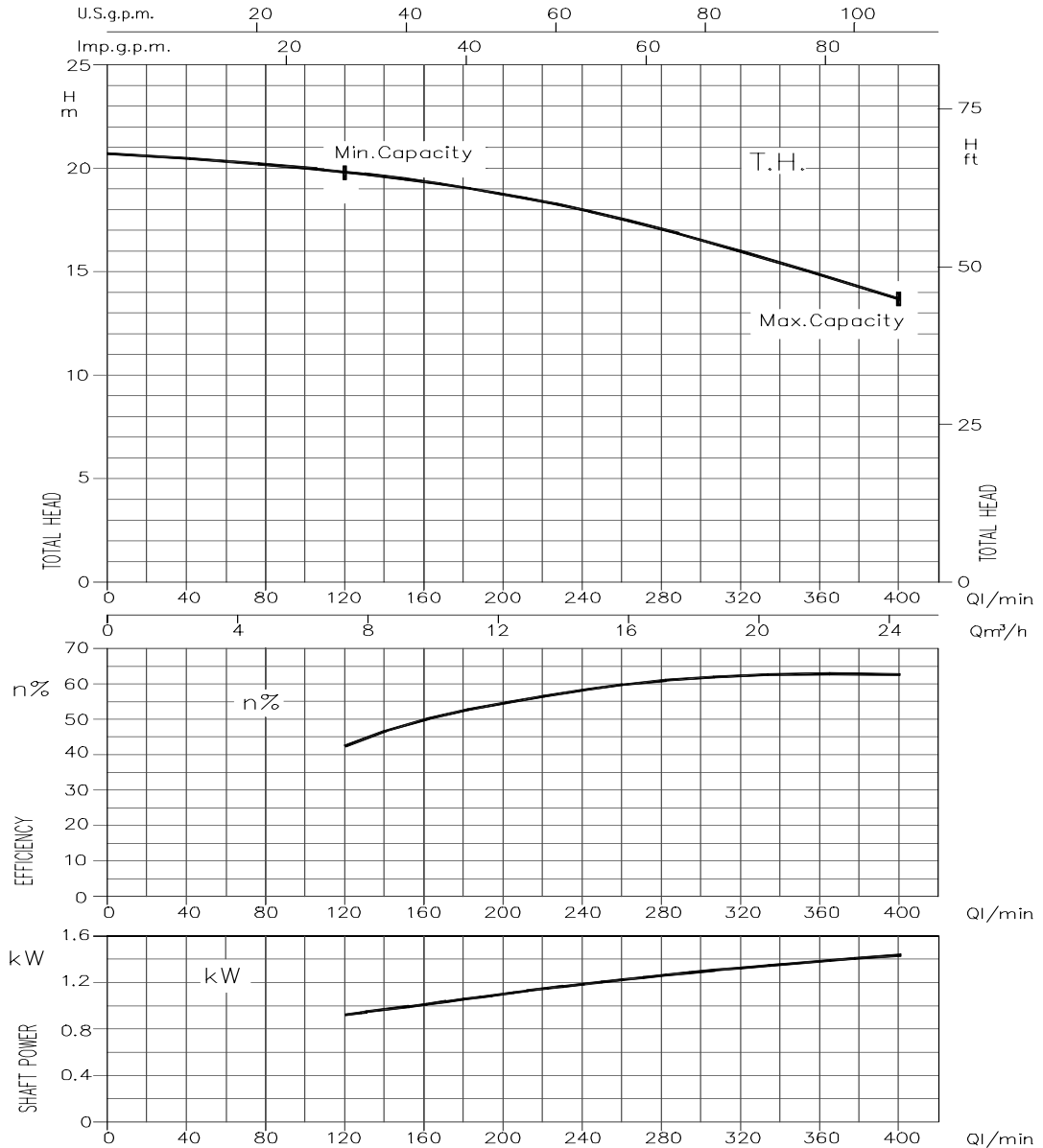
Temperature of water: 20°C
 Impeller diameter = 95 mm
 Applicable standard of test: ISO 9906 - Annex A

LPS 50/75 (0.75 kW) - LPS 50/75M (0.75 kW)
 SYNCHRONOUS SPEED: 3000 min⁻¹



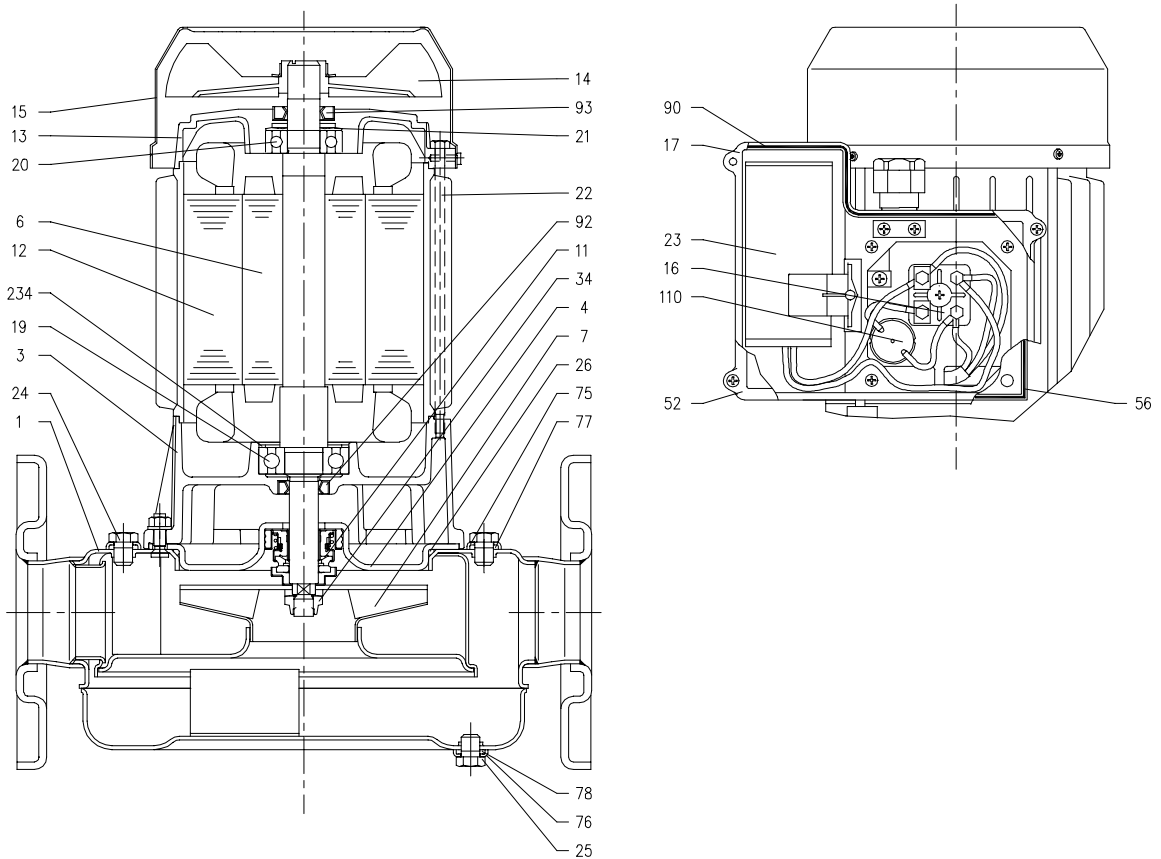
Temperature of water: 20 degrees centigrade
 Impeller diameter = 114 mm
 Applicable standard of test: ISO 9906 - Annex A

LPS 50/150 (1.5 kW) - LPS 50/150M (1.5 kW)
 SYNCHRONOUS SPEED: 3000 min⁻¹



Temperature of water: 20°C
 Impeller diameter = 129 mm
 Applicable standard of test: ISO 9906 - Annex A

SECTIONAL VIEW



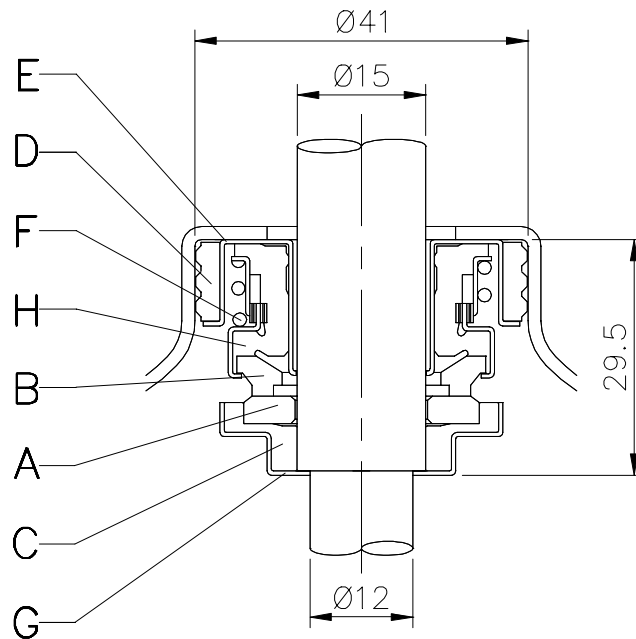
N°	PART NAME	MATERIAL	Q.TY	N°	PART NAME	MATERIAL	Q:TY
1	Casing	AISI 304	1	23	Capacitor [1]	-	1
3	Motor bracket	Aluminium	1	24	Priming plug	Brass	2
4	Casing cover	AISI 304	1	25	Drain plug	Brass	1
6	Shaft with rotor	AISI 303 (Wet extension)	1	26	O-ring	NBR	1
7	Impeller	AISI 304	1	34	Impeller nut	AISI 304	1
11	Mechanical seal	Carbon / Ceramic / NBR	1	52	Capacitor Box [1]	ABS	1
12	Motor frame with stator	-	1	56	Box gasket	NBR	1
13	Motor cover	Aluminium	1	75	Washer	AISI 304	2
14	Fan	PA6	1	76	Washer	AISI 304	1
15	Fan cover	Fe P04 Zinked	1	77	O-ring	NBR	2
16	Terminal board	-	1	78	O-ring	NBR	1
17	Terminal box cover [2]	Aluminium	1	90	Cover gasket	NBR	1
19	Pump side ball bearing	-	1	92	Lip seal	NBR	1
20	Fan side ball bearing	-	1	93	Lip seal	NBR	1
21	Adjusting ring	Steel C70	1	110	Motor Protector [3]	-	1
22	Tie rod	Fe 42 Zinked	4	234	Seeger ring	Carbon steel	1

[1] Only for single phase

[2] Only for three phase

[3] Only for version single phase: LPS 50/150M

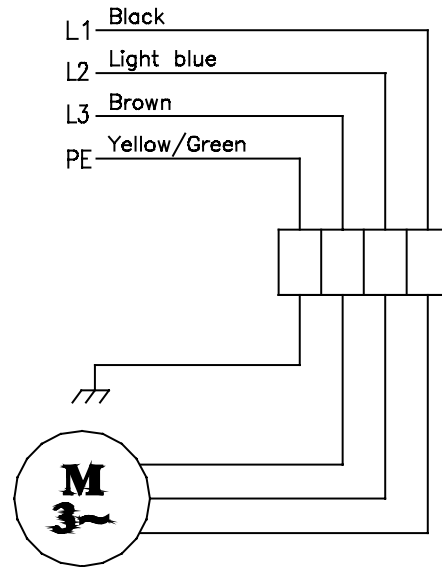
MECHANICAL SEAL



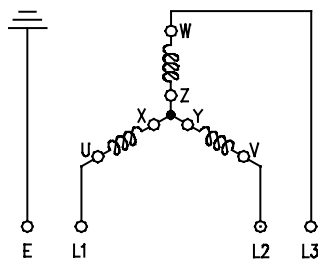
REF	PART NAME	MATERIAL
A	Rotary seal ring	ceramic
B	Stationary seal ring	carbon graphite
C	Cup Gasket	NBRH
D	Seat ring	NBRH
E	Case	AISI 304
F	Self driving spring	AISI 304
G	Case	AISI 304
H	Bellows	NBRH

DIAGRAM AND ELECTRIC CONNECTIONS

THREE PHASE MOTOR



400 V
STAR CONNECTION



230 V
DELTA CONNECTION

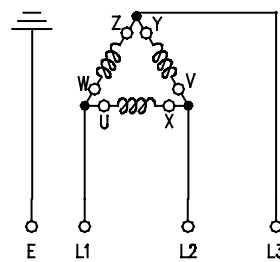
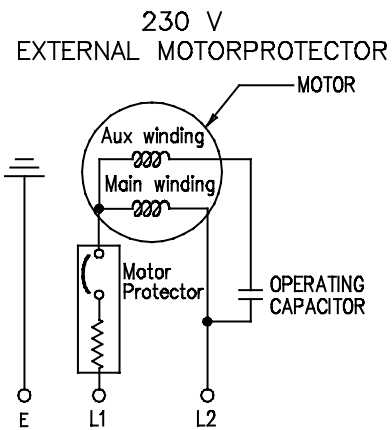
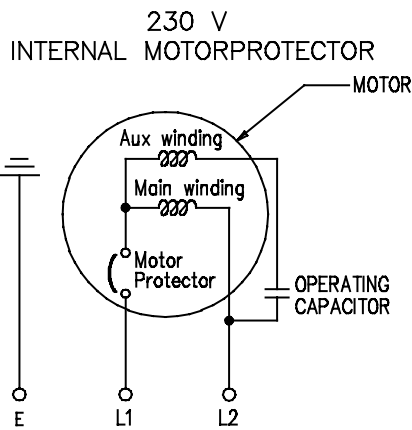
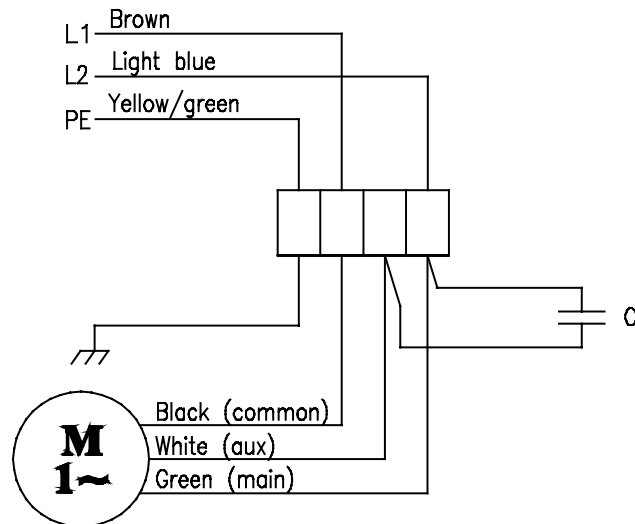


DIAGRAM AND ELECTRIC CONNECTIONS

SINGLE PHASE MOTOR

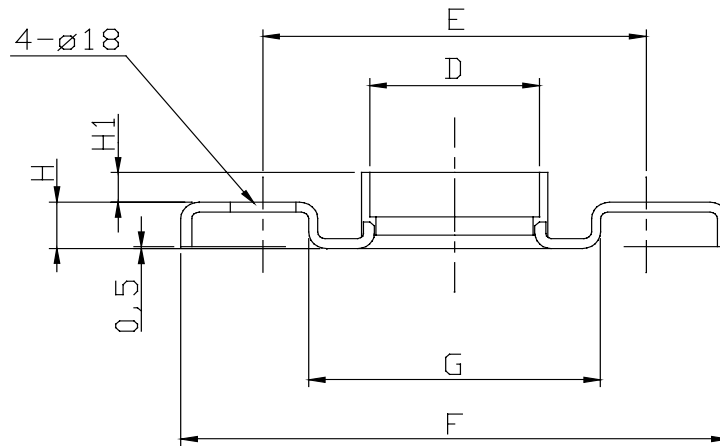


For model

- LPS 25/08M
- LPS 25/15M
- LPS 25/25M
- LPS 32/25M
- LPS 32/40M
- LPS 40/25M
- LPS 40/40M
- LPS 40/75M
- LPS 50/40M
- LPS 50/75M

LPS 50/150M

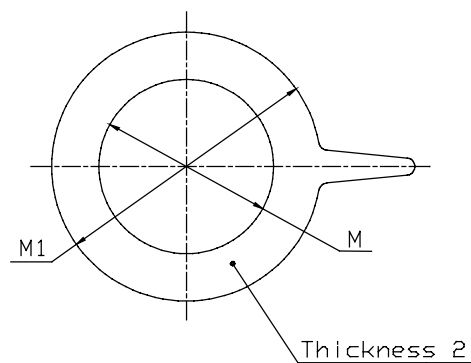
COUNTER FLANGE



DIN	D	G	E	F	H	H1
25	G 1"	64	85	115	12	13
32	G 1" 1/4	76	100	140	14	11
40	G 1" 1/2	81	110	150	14	10.5
50	G 2"	96	125	165	16	14

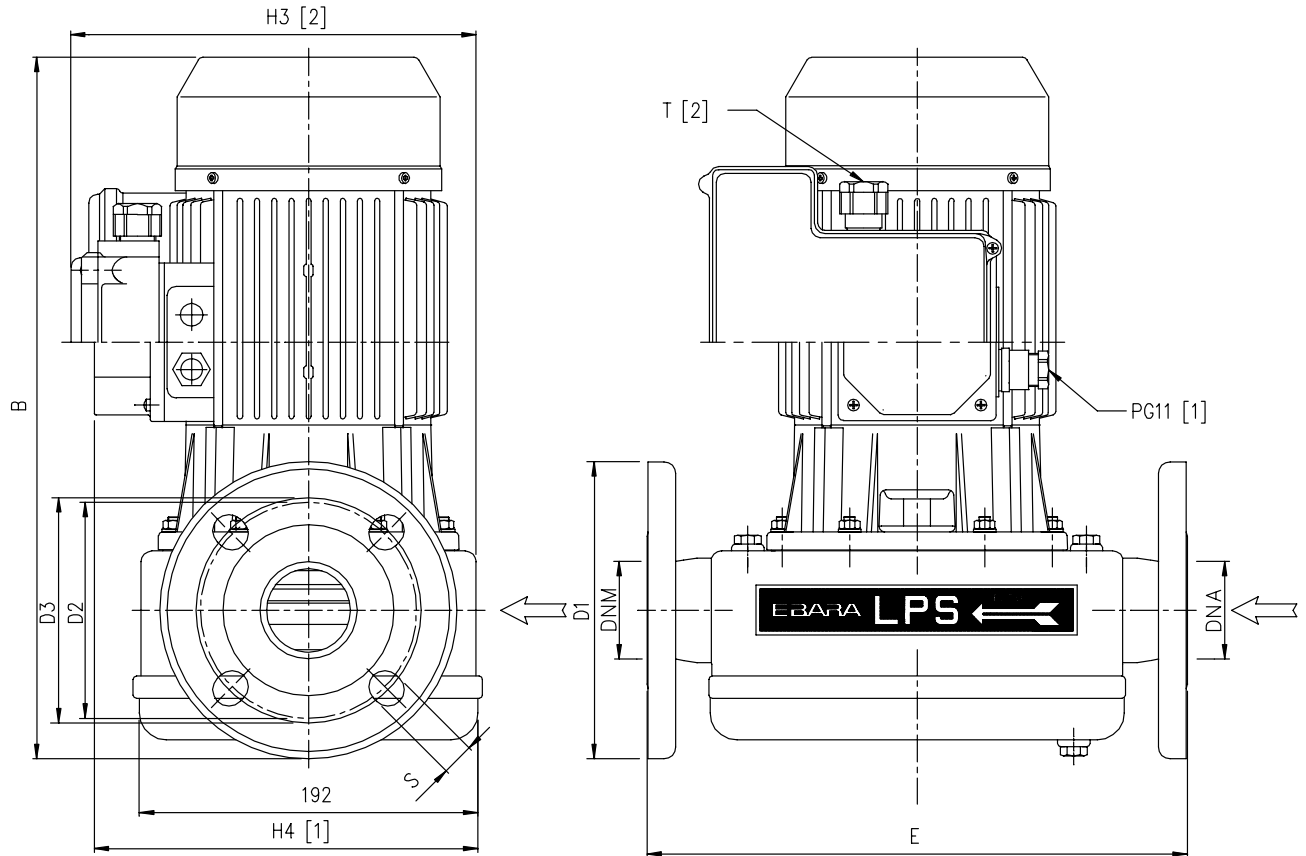
Material : Galvanized steel for standard
AISI 304 upon request

GASKET



DIN	M	M1
25	30	70
32	38	82
40	50	93
50	60	107

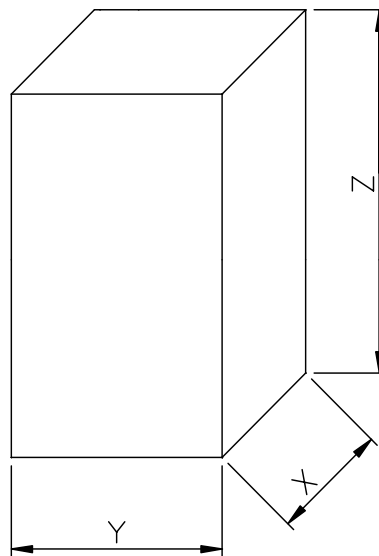
Material : EPDM version for standard
VITON upon request



Pump type		Dimensions in mm										
Single Phase	Three Phase	E	B	H3	H4	T	DNA	DNM	D1	D2	D3	S
LPS 25/08M	LPS 25/08	300	322	206	197.5	PG11	25	25	115	85	85	14
LPS 25/15M	LPS 25/15	300	322	206	197.5	PG11	25	25	115	85	85	14
LPS 25/25M	LPS 25/25	300	322	206	197.5	PG11	25	25	115	85	85	14
LPS 32/25M	LPS 32/25	305	341.5	206	197.5	PG11	32	32	140	100	100	18
LPS 32/40M	LPS 32/40	305	341.5	206	197.5	PG11	32	32	140	100	100	18
LPS 40/25M	LPS 40/25	305	346.5	206	197.5	PG11	40	40	150	105	110	18
LPS 40/40M	LPS 40/40	305	346.5	206	197.5	PG11	40	40	150	105	110	18
LPS 40/75M	LPS 40/75	305	346.5	206	197.5	PG11	40	40	150	105	110	18
LPS 50/40M	LPS 50/40	310	356.5	206	197.5	PG11	50	50	165	120	125	18
LPS 50/75M	LPS 50/75	310	356.5	206	197.5	PG11	50	50	165	120	125	18
LPS 50/150M	LPS 50/150	310	387	232	214.5	PG13.5	50	50	165	120	125	18

[1] Only for Three Phase

[2] Only for Single Phase



Pump type		PACKING [mm]			WEIGHT [kg]	
Single phase	Three phase	Y	X	Z	Single phase	Three phase
LPS 25/08M	LPS 25/08	377	242	420	12.8	12.8
LPS 25/15M	LPS 25/15	377	242	420	12.8	12.8
LPS 25/25M	LPS 25/25	377	242	420	12.9	12.9
LPS 32/25M	LPS 32/25	377	242	420	14.6	14.6
LPS 32/40M	LPS 32/40	377	242	420	14.6	14.6
LPS 40/25M	LPS 40/25	377	242	420	15	15
LPS 40/40M	LPS 40/40	377	242	420	15	15
LPS 40/75M	LPS 40/75	377	242	420	18.5	18.2
LPS 50/40M	LPS 50/40	377	242	420	16	16
LPS 50/75M	LPS 50/75	377	242	420	19	19
LPS 50/150M	LPS 50/150	377	242	420	22.2	22.2

TECHNICAL DATA

50 Hz

Type pumps		kW	HP	Capacitor		Input		Full load current			Locked rotor current		
Single Phase 230 V 50 Hz	Three Phase 230-400 V 50 Hz			Single Phase µF	Vc	[kW]		[A]			Single Phase 230 V 50 Hz	Three Phase 230 V 50 Hz 400 V 50 Hz	
LPS 25/08M	LPS 25/08	0.08	0.1	12.5	450	0.29	0.27	1.51	1.7	1.01	5.5	6.4	3.7
LPS 25/15M	LPS 25/15	0.15	0.2	12.5	450	0.34	0.33	1.67	1.8	1.03	5.5	6.4	3.7
LPS 25/25M	LPS 25/25	0.25	0.33	12.5	450	0.45	0.44	2.04	1.9	1.11	5.5	6.4	3.7
LPS 32/25M	LPS 32/25	0.25	0.33	12.5	450	0.43	0.41	2.0	1.8	1.03	5.5	6.4	3.7
LPS 32/40M	LPS 32/40	0.4	0.5	12.5	450	0.62	0.63	2.74	2.2	1.25	9.8	11.3	6.5
LPS 40/25M	LPS 40/25	0.25	0.33	12.5	450	0.43	0.42	1.98	1.9	1.09	5.5	6.4	3.7
LPS 40/40M	LPS 40/40	0.4	0.5	12.5	450	0.62	0.63	2.75	2.2	1.25	9.8	11.3	6.5
LPS 40/75M	LPS 40/75	0.75	1	25	450	1.07	1.04	4.86	4.0	2.29	20.3	24	14
LPS 50/40M	LPS 50/40	0.4	0.5	12.5	450	0.62	0.61	2.74	2.2	1.25	9.8	11.3	6.5
LPS 50/75M	LPS 50/75	0.75	1	25	450	1.08	1.04	4.9	3.9	2.26	20.3	24	14
LPS 50/150M	LPS 50/150	1.5	2	35	450	1.82	1.78	8.07	5.7	3.31	40	42.5	24.5

Type pumps		Ball Bearing	
Single Phase 230 V 50 Hz	Three Phase 230-400 V 50 Hz	Pump side	Fan side
LPS 25/08M	LPS 25/08	6203-2RSH	6202-2RSH
LPS 25/15M	LPS 25/15		
LPS 25/25M	LPS 25/25		
LPS 32/25M	LPS 32/25		
LPS 32/40M	LPS 32/40		
LPS 40/25M	LPS 40/25		
LPS 40/40M	LPS 40/40		
LPS 40/75M	LPS 40/75		
LPS 50/40M	LPS 50/40		
LPS 50/75M	LPS 50/75		
LPS 50/150M	LPS 50/150	6204-2RSH	6203-2RSH

